

Patent Drawings

These are sample documents. Actual content and language may vary based on your answers to the LegalZoom questionnaire.

LegalZoom grants you permission to view and print these sample documents for your personal, informational, and non-commercial use. They may not be reproduced or sold for any purposes. Your answers to the LegalZoom questionnaire have not been applied to these sample documents so they are not fit for use.

Included Documents

[Patent_Drawings.pdf](#)

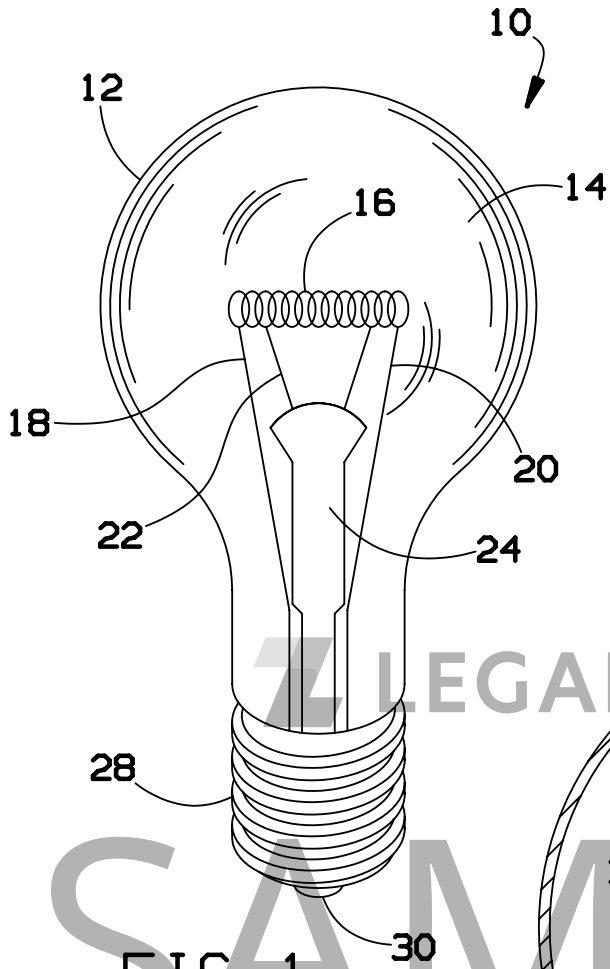


FIG. 1

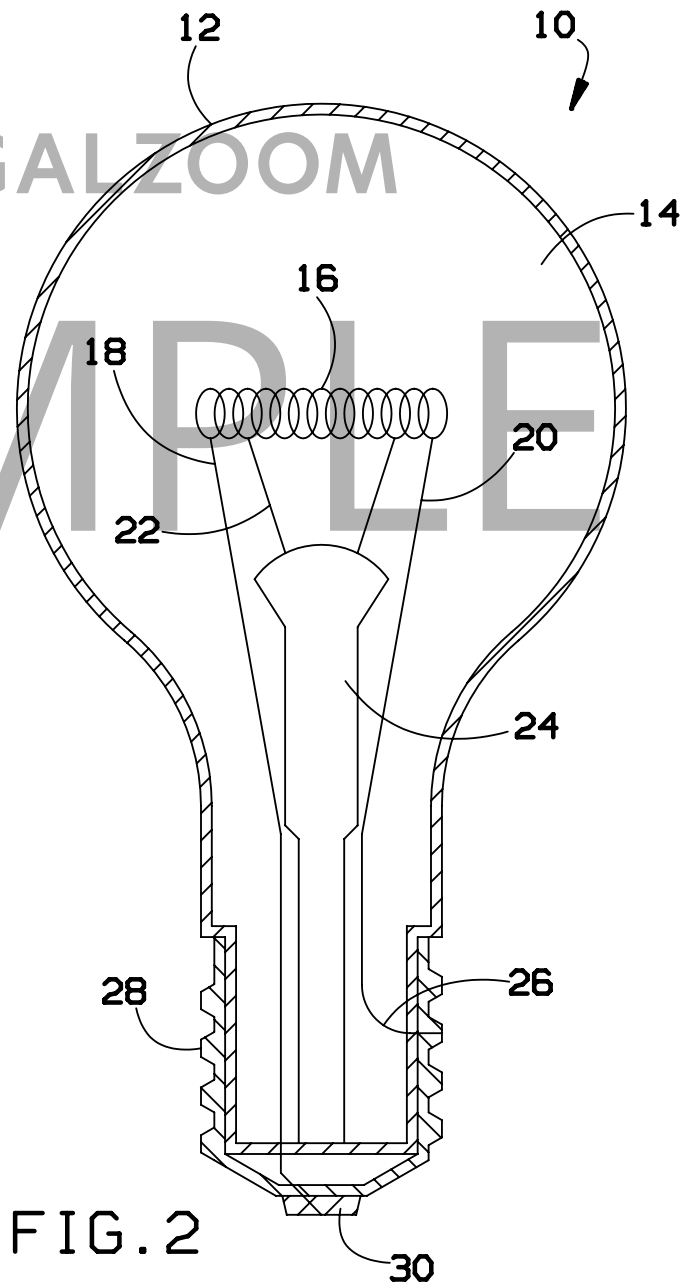


FIG. 2